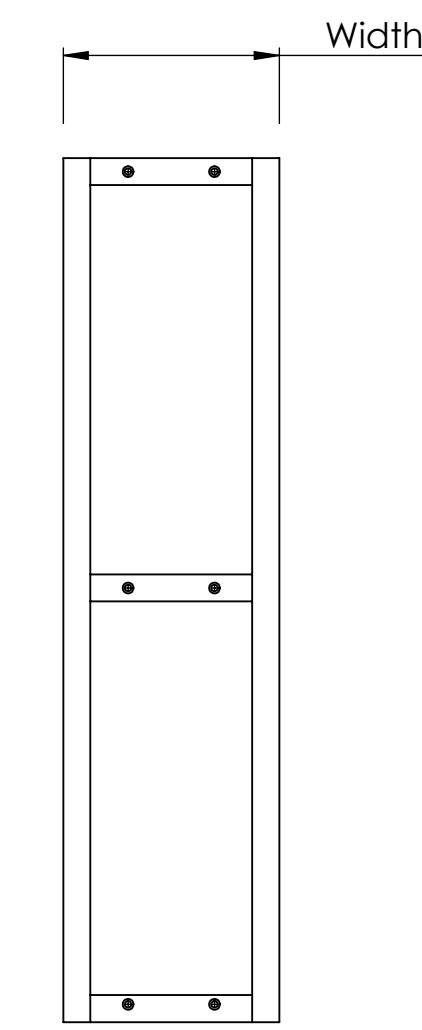
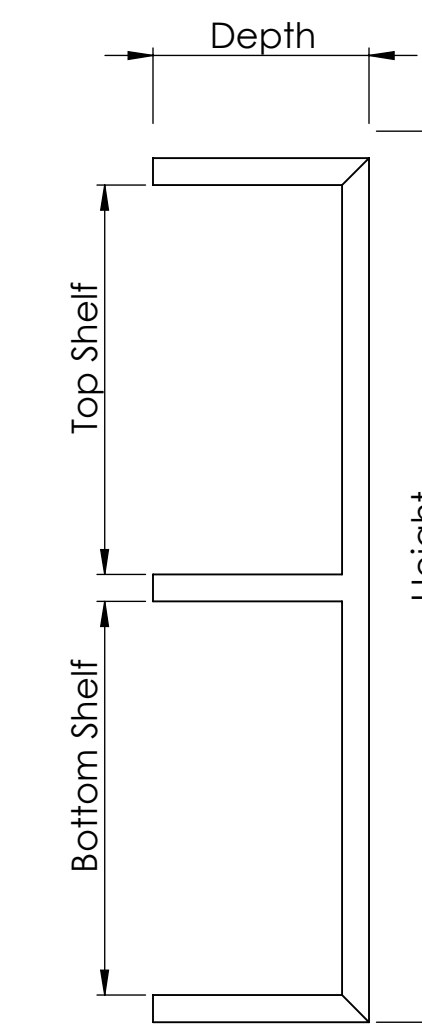


Variable Sizes:



Available on request: **

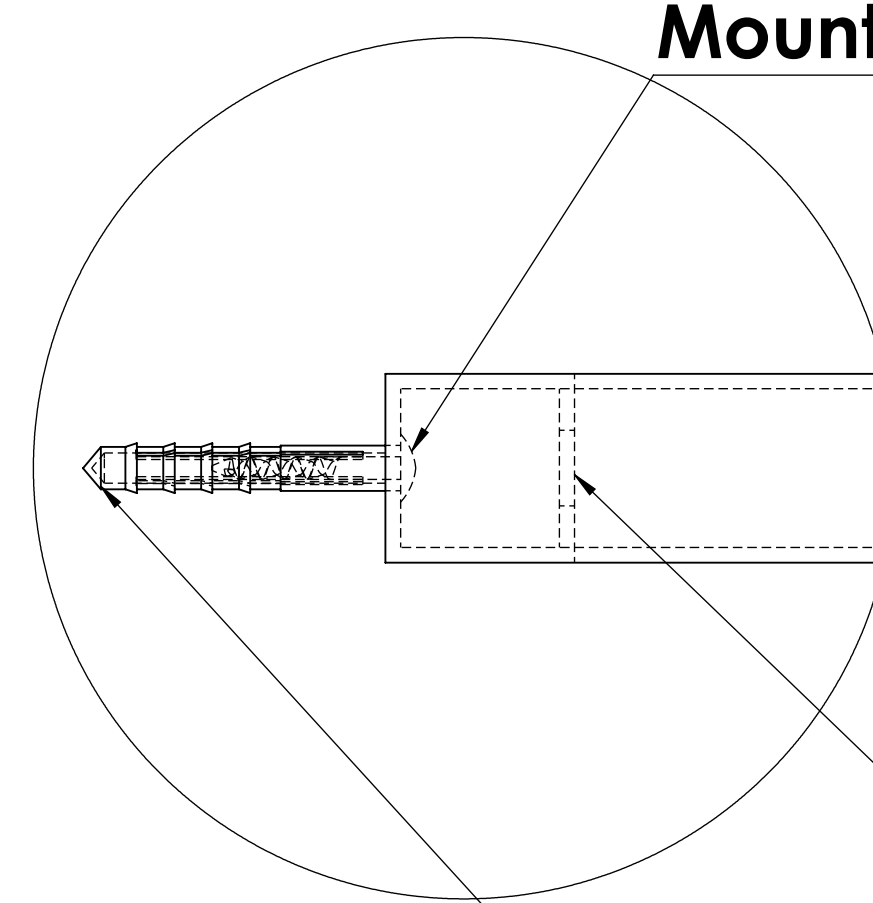
Material options: MS/AL/SS

Profiles: various

Final finish: various

Serial number

Part Number	Name	Quantity	8800 -TF2
1	Frame	1	NS - FW - 8800TF2
2	Plug	15	NS - MP - FS1
3	Screw	15	NS - MP - FS2

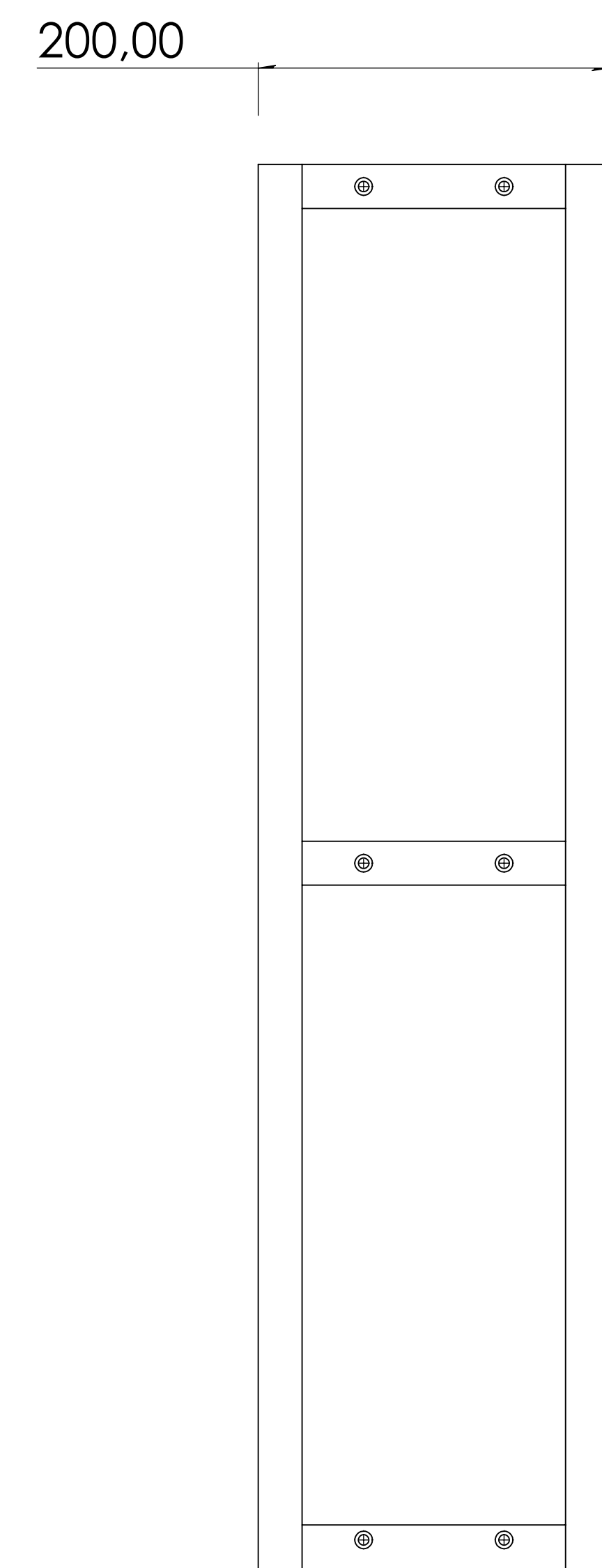
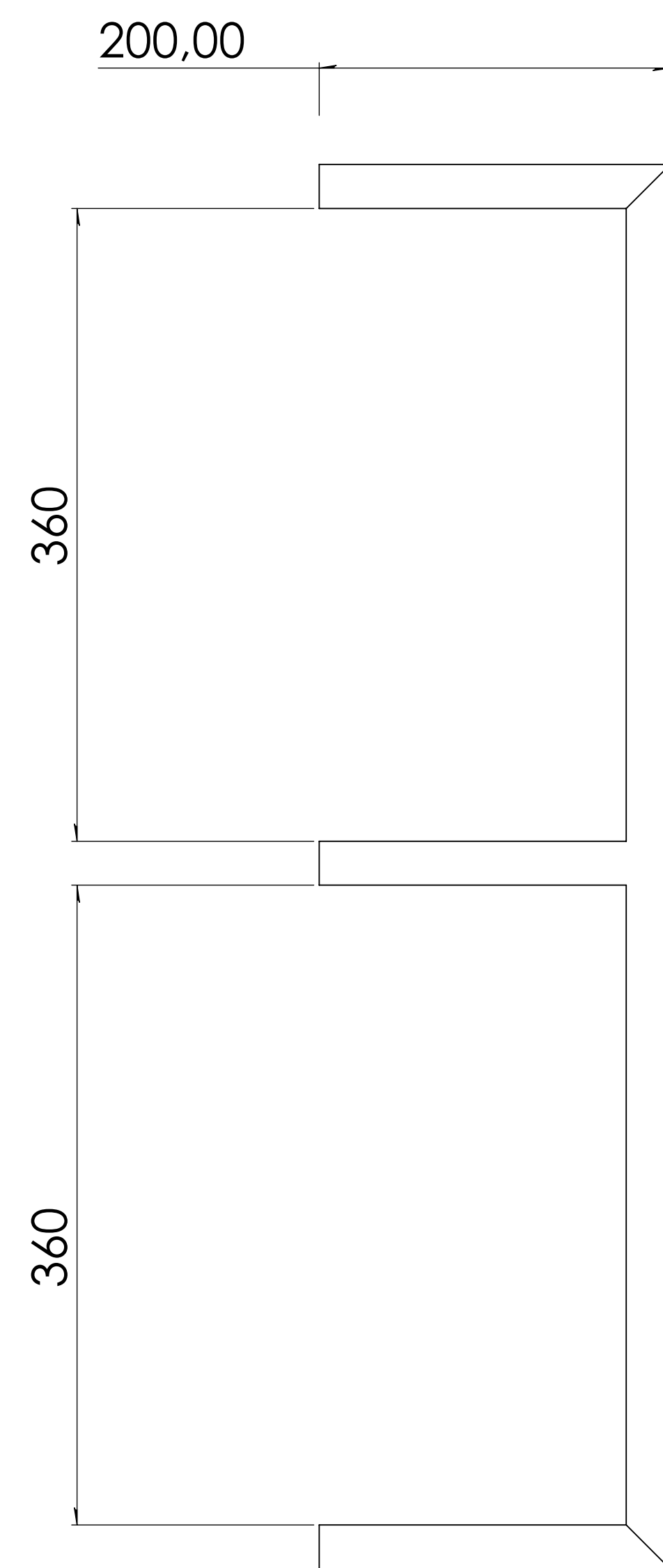


Mounting screw

Access hole to fasten the mounting screw

Wall plug

DETAIL I



**

For more info please use the website interface or alternatively make direct contact using the provided email address.

Disclaimer: This drawing and the information contained herein is the proprietary property of Nereus Steel Pty (Ltd), Registration No. 2025/938970/07. Any reproduction, use, or disclosure, in whole or in part, without the express written permission of Nereus Steel Pty (Ltd) is strictly prohibited.

Part Name: Shelf TF2

Series no. 8800

Reference no. TF2

Contact:
projects@nereussteel.co.za

