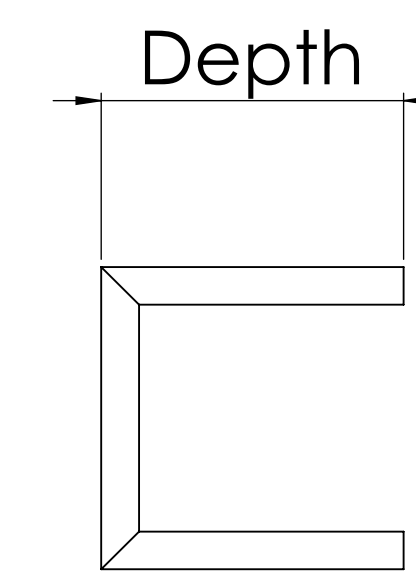
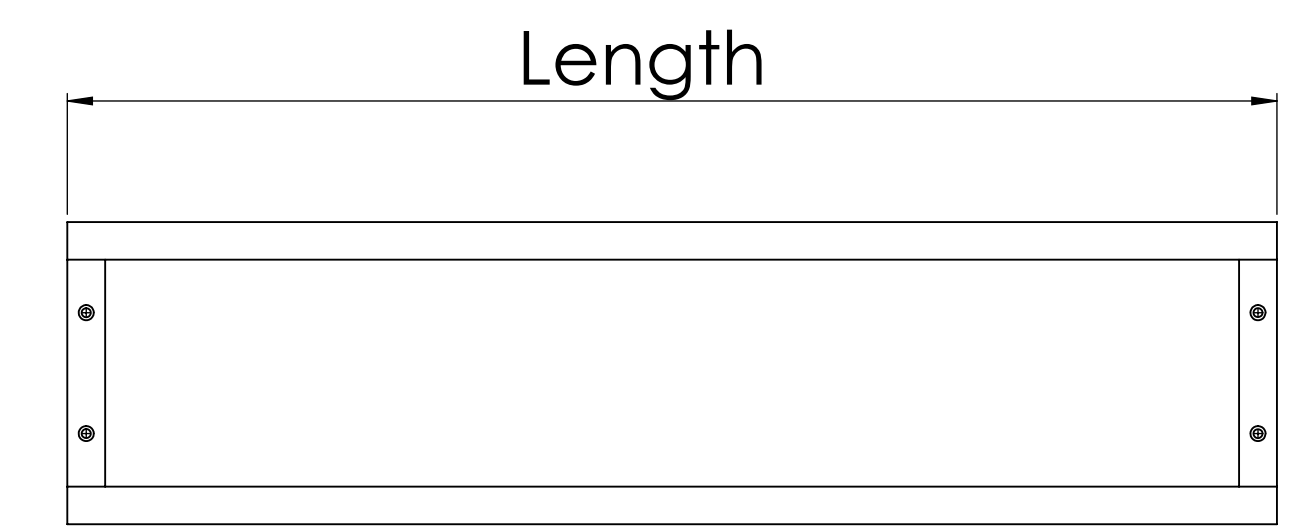


Variable Sizes:



Height



Available on request: \*\*

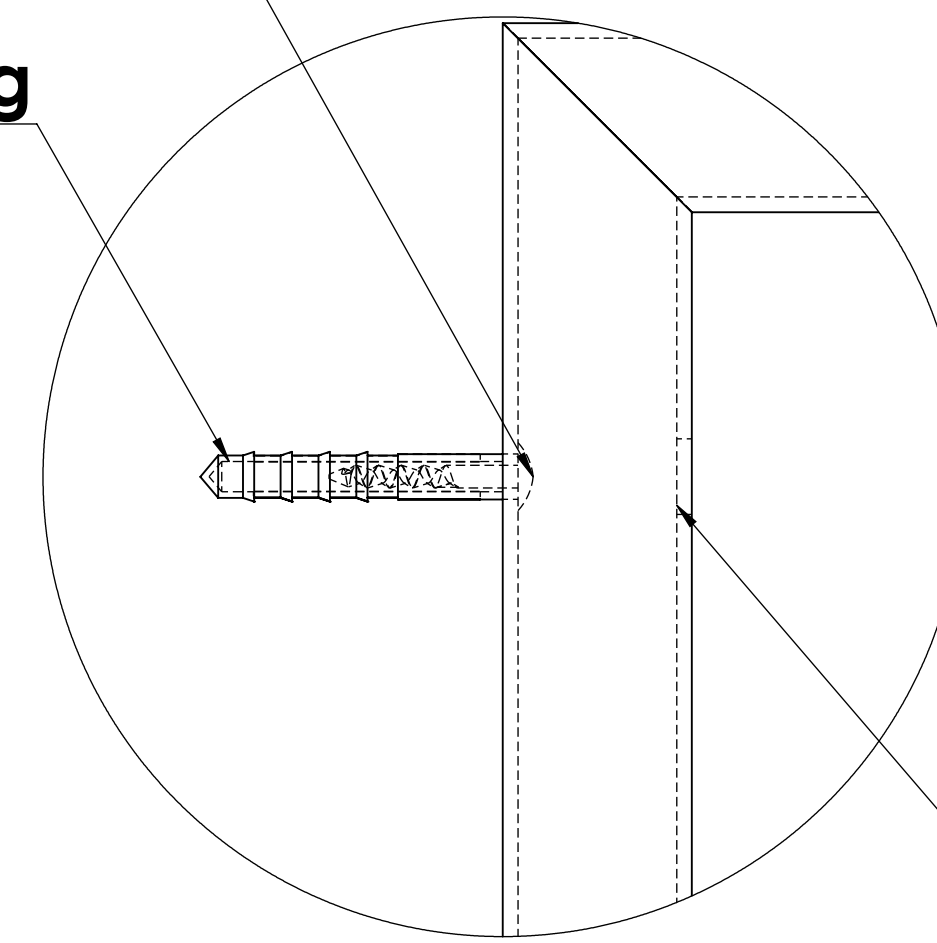
Material options: MS/AL/SS

Profiles: various

Final finish: various

Mounting screw

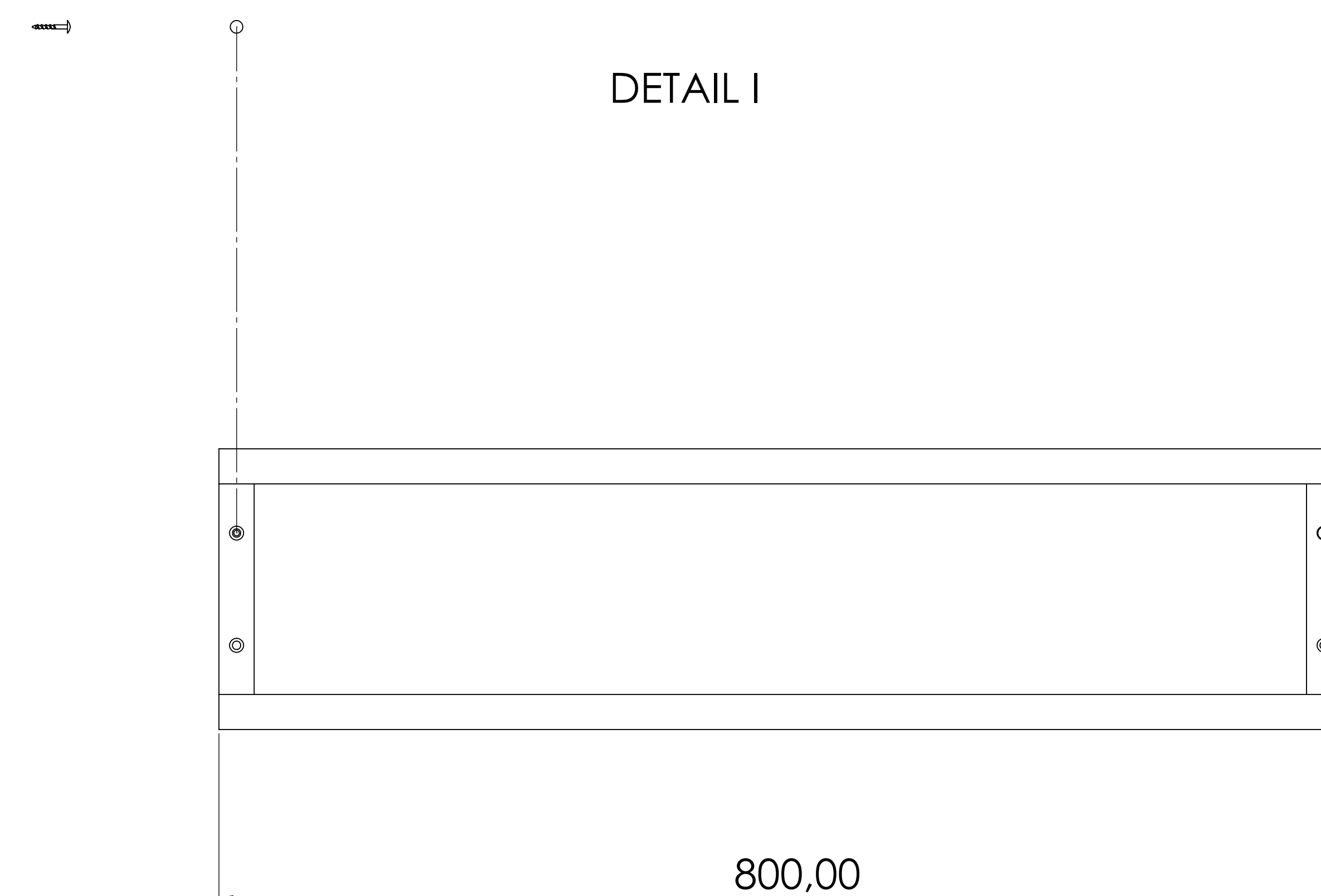
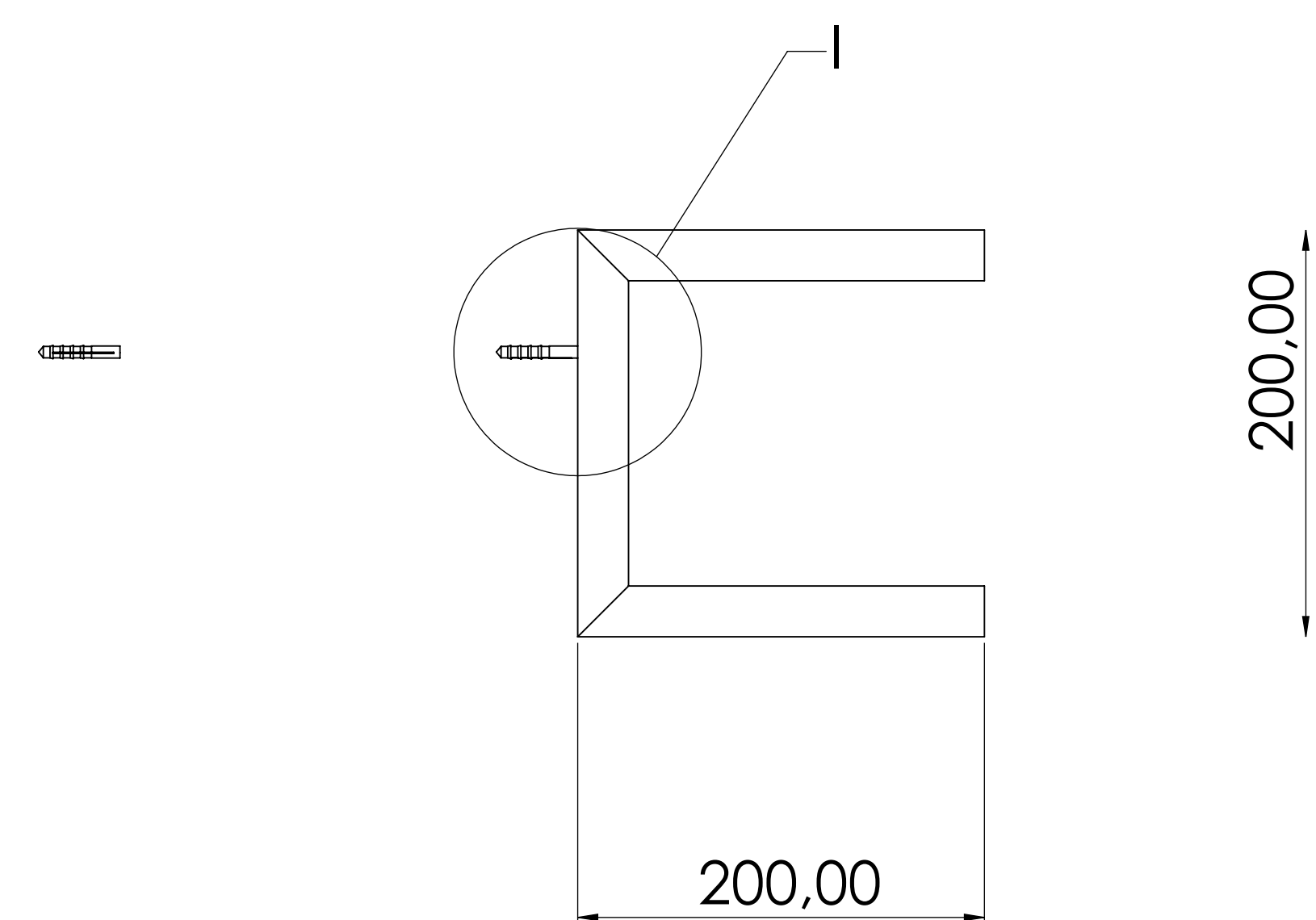
Wall plug



Access hole to fasten the mounting screw

DETAIL I

Part Number	Name	Quantity	Serial number
			8900 -TF1
1	Frame	1	NS - FW - 8900TF1
2	Plug	15	NS - MP - FS1
3	Screw	15	NS - MP - FS2



\*\*

For more info please use the website interface or alternatively make direct contact using the provided email address.

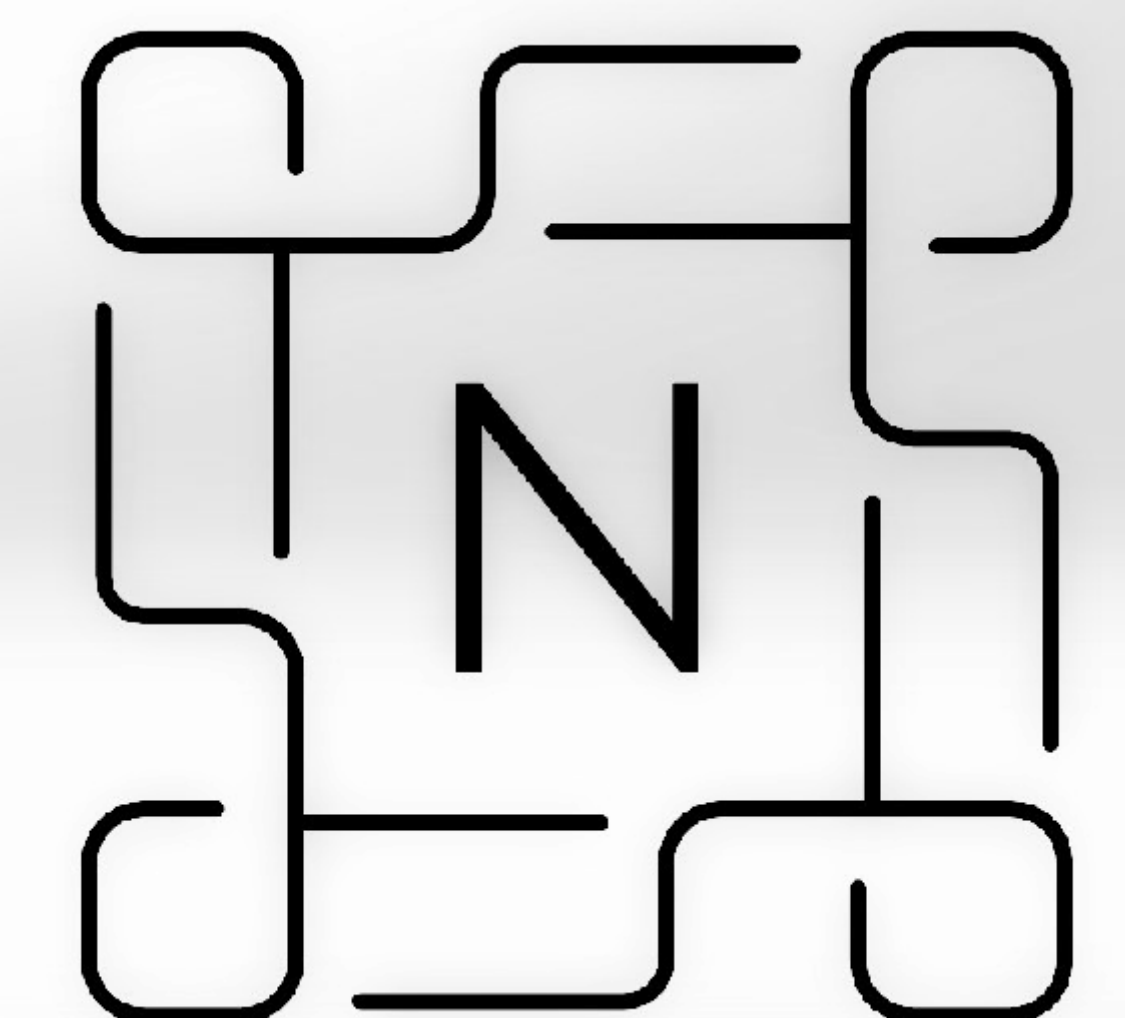
Part Name: Frame - TF1

Series no. 8900

Reference no. TF1

Contact:

projects@nereussteel.co.za



**Disclaimer:** This drawing and the information contained herein is the proprietary property of Nereus Steel Pty (Ltd), Registration No. 2025/938970/07. Any reproduction, use, or disclosure, in whole or in part, without the express written permission of Nereus Steel Pty (Ltd) is strictly prohibited.